

### POWER MANAGEMENT

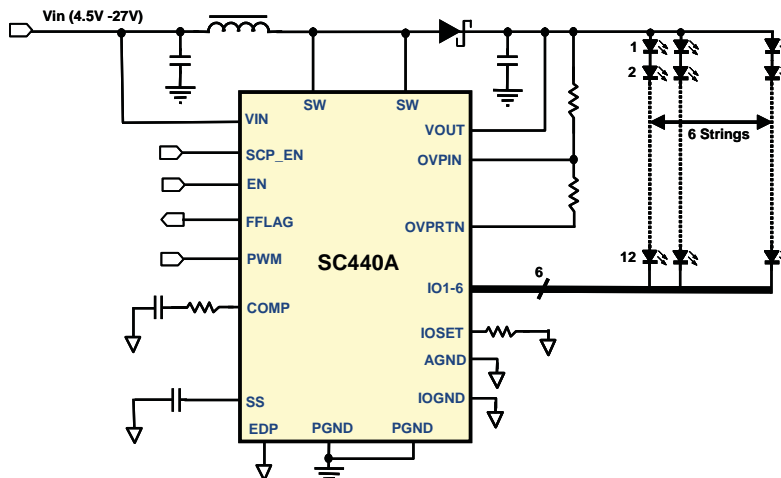
#### Features

- Wide input range 4.5V to 27V
- 42V maximum output voltage with adjustable OVP for smaller output capacitor
- **Drives up to 72 WLEDs in 6 strings**
- Programmable WLED current for up to 30mA per string
- **1% string-to-string current matching**
- **2A integrated power switch**
- **Up to 91% efficiency**
- 0.2% to 100% PWM dimming
- Analog dimming
- 800KHz switching frequency for small external component
- **Open/short LED protection**
- **Short LED protection disable**
- <1uA shut-down current
- Thermal protection
- 4mm x 4mm x1mm MLPQ-24 package (Pb-free, Halogen free, WEEE & RoHS compliant)

#### Applications

- Medium-sized LCD panel
- Notebook Display
- White LED Power Supplies
- Sub-Notebook and Tablet Computer Displays
- Portable Media Players
- LCD Monitors
- Digital Video Cameras

#### Typical Application Circuit



#### Description

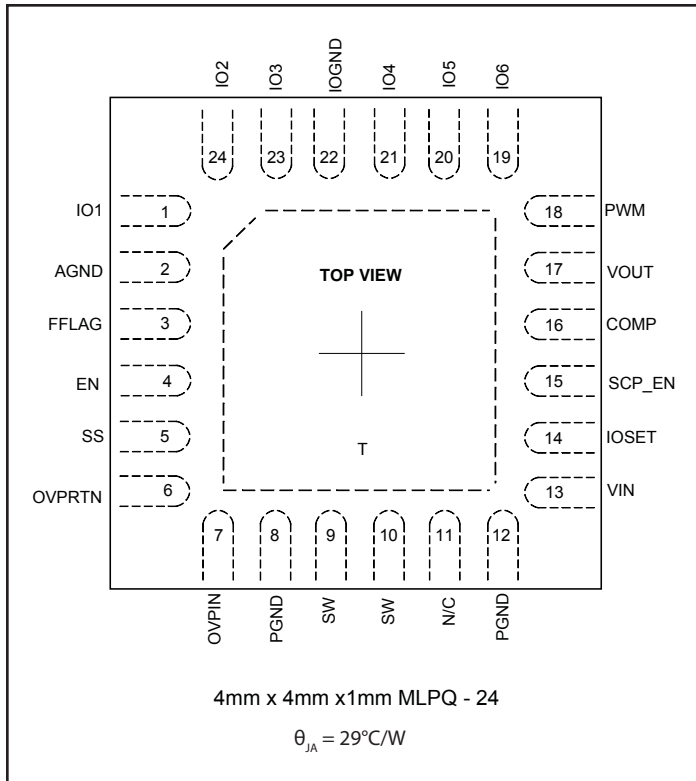
The SC440A is a high-efficiency multiple string WLED driver with an integrated boost converter. It operates over a wide input range from 4.5V to 27V with a maximum output voltage of 42V and a 2A internal power switch.

It can drive up to 42V output voltage in 6 strings with current up to 30mA per string. The string-to-string current matching is 1% typical, 3% maximum and the overall efficiency is greater than 90% due to the low current sense voltage and a low-impedance internal power switch. The wide PWM dimming range boasts a ratio of 500: 1.

The 800kHz switching frequency enables the user to optimize the external component sizes for high efficiency. When there are fewer LEDs in each string, users can use a lower output voltage protection level which yields an allowable reduction in associated costs, size and voltage ratings of the output capacitor.

The SC440A also features a comprehensive open and short circuit LED protection functions. It disables the corresponding strings with LED open or LED short conditions while keeping other strings under normal operation. This feature allows LCD panels to remain viewable even under LED failure, wire disconnect, or short-circuit conditions. The short LED protection function can be disabled. The internal thermal shutdown protects the IC from overheating at abnormal conditions. The SC440A is available in a common 4mm x 4mm x1mm MLPQ-24 package.

## Pin Configuration



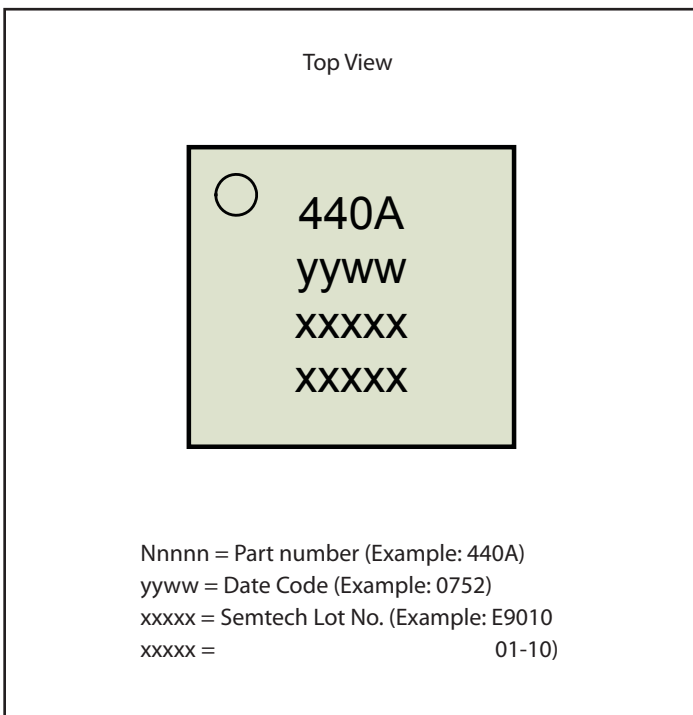
## Ordering Information

Device	Package
SC440AMLTRT <sup>(1)(2)</sup>	4mm x 4mm x 1mm MLPQ - 24
SC440AEVB	Evaluation Board

### Notes:

- (1) Available in tape and reel only. A reel contains 3,000 devices.
- (2) Available in Pb-free and Halogen free package only. Device is WEEE and RoHS compliant.

## Marking Information



## Absolute Maximum Ratings

$V_{IN}$ Pin: Supply Voltage .....	-0.3 to 30V
Maximum Output Power.....	7.5W
IOSET Voltage .....	-0.3 to 2V
SW, VOUT, IO1~IO6, OVPIN, OVPRTN Voltage .....	-0.3 to 45V
SS, COMP Voltage .....	-0.3 to 3V
SCP_EN Voltage .....	-0.3 to 3.5V
EN, PWM, FFLAG Voltage .....	-0.3 to $V_{IN} + 0.3V$
PGND to AGND and $I_{OGND}$ .....	$\pm 0.3V$
Peak IR Reflow Temperature .....	260°C
ESD Protection Level <sup>(2)</sup> .....	2000V

## Recommended Operating Conditions

Supply Input Voltage .....	4.5V to 27V
Maximum Output Voltage .....	42V
Maximum LED Current .....	30mA

## Thermal Information

Junction to Ambient <sup>(1)</sup> .....	29°C/W
Maximum Junction Temperature.....	150°C
Storage Temperature .....	-65 to +150°C

Exceeding the above specifications may result in permanent damage to the device or device malfunction. Operation outside of the parameters specified in the Electrical Characteristics section is not recommended.

### NOTES-

- (1) Calculated from package in still air, mounted to 3" x 4.5", 4 layer FR4 PCB with thermal vias under the exposed pad per JESD51 standards.
- (2) Tested according to JEDEC standard JESD22-A114-B.

## Electrical Characteristics

Unless otherwise noted,  $V_{IN} = 12V$ ,  $-40^{\circ}C < T_A = T_J < 85^{\circ}C$ ,  $R_{IOSET} = 2k\Omega$ .

Parameter	Symbol	Conditions	Min	Typ	Max	Units
<b>Input Supply</b>						
Under-Voltage Lockout Threshold	$U_{VLO-TH}$	$V_{IN}$ rising		4.2	4.5	V
UVLO Hysteresis	$U_{VLO-H}$			250		mV
$V_{IN}$ Quiescent Supply Current	$I_{IN-Q}$	No switching		4.5		mA
$V_{IN}$ Supply Current in Shutdown	$I_{IN-S}$	EN / PWM = low			1	$\mu A$
<b>Oscillator</b>						
Switching Frequency <sup>(1)</sup>	$F_S$		0.64	0.8	0.96	MHz
Maximum Duty Cycle <sup>(1)</sup>	$D_{MAX}$		90			%
Minimum Duty Cycle <sup>(1)</sup>	$D_{MIN}$				0	%
Minimum On-Time	$T_{ON-MIN}$			200		ns
Minimum Off-Time	$T_{ON-MIN}$			100		ns
<b>Internal Power Switcher</b>						
Switch Current Limit	$I_{SW}$		2.0	2.5		A
Switch Saturation Voltage	$V_{SAT}$	$I_{SW} = 1A$		200	500	mV
Switch Leakage Current	$I_{S-LEAK}$	$V_{SW} = 12V$		0.01	1	$\mu A$
<b>Compensation</b>						
Sourcing Current	$I_{O-H}$	$V_{COMP} = 0.5V$		7.3		$\mu A$
Sinking Current	$I_{O-L}$	$V_{COMP} = 2V$		5.5		$\mu A$

**Electrical Characteristics (continued)**

 Unless otherwise noted,  $V_{IN} = 12V$ ,  $-40^{\circ}C < T_A = T_J < 85^{\circ}C$ ,  $R_{\theta SET} = 2k\Omega$ .

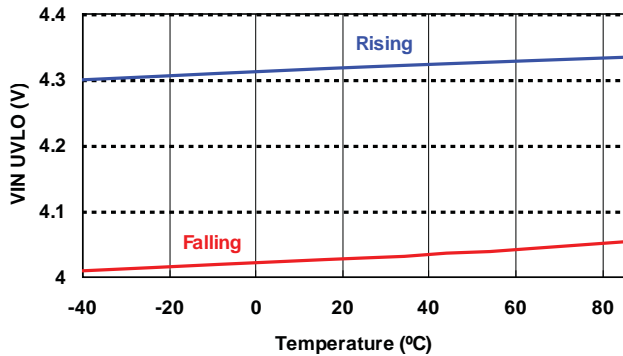
Parameter	Symbol	Conditions	Min	Typ	Max	Units
<b>Control Signals</b>						
EN, PWM High Voltage	$V_{EN\_H}$	$V_{IN} = 4.5V$ to 27V	2			V
EN, PWM Low Voltage	$V_{EN\_L}$	$V_{IN} = 4.5V$ to 27V			0.4	V
EN, PWM Leakage Current	$I_{EN\_LEAK}$	$V_{EN} = V_{PWM} = 0V$ to 5.0V		0.01	1	$\mu A$
PWM Dimming Frequency <sup>(1)</sup>	$F_{PWM}$		50		50k	Hz
PWM Dimming Minimum Duty Cycle <sup>(1)</sup>	$D_{MIN\_PWM}$	$F_{PWM} = 200Hz$		0.4		%
PWM Dimming Minimum Pulse Width	$T_{PWM\_MIN}$	$F_{PWM} = 200Hz$		10		$\mu s$
FFLAG Voltage	$V_{FFLAG}$	$I_{FFLAG} = 2$ mA, normal operation		0.25		V
SS Source Current	$I_{SS\_H}$	$V_{SS} = 0V$		6		$\mu A$
SS Sink Current	$I_{SS\_L}$	$V_{SS} = 2V$ at OVP or OTP		1.6		
SS Switching Threshold	$V_{SS\_TH}$	$T_J = 25^{\circ}C$	0.7	0.9	1.05	V
SS End Voltage	$V_{SS\_END}$			2.6		V
<b>Over-Voltage Protection</b>						
OVPIN Threshold Voltage	$V_{OVPIN\_TH}$		1.475	1.535	1.595	V
OVPIN Leakage Current	$I_{OVPIN\_L}$	OVPIN = $V_{IN} = 20V$		0.1	1	$\mu A$
OVPRTN Saturation Voltage	$V_{OVPRTN}$	$I_{OVPRTN} = 100\mu A$		60		mV
OVPRTN Leakage Current	$I_{OVPRTN\_L}$	OVPRTN = $V_{IN}$			1	$\mu A$
VOUT Internal Pull-Down in Over-Voltage Fault	$I_{OVP}$			0.9		mA
VOUT Leakage Current	$I_{VOUT\_L}$	$V_{OUT} = 40V$		0.1		$\mu A$
<b>Current Source (IO1 ~ IO6)</b>						
Backlight Current Accuracy	IO1~IO6	EN, PWM = 1; $T_J = 25^{\circ}C$	27	30	32	mA
Overshoot Protection Threshold	IO1~IO6			0.8		V
Overshoot Protection Hysteresis	Any of IO1~IO6			100		mV
LED Current Matching <sup>(1)</sup>		PWM = 10% to 100%; $T_J = 25^{\circ}C$ PWM = 200Hz / 500Hz		+/-1	+/-3	%
Maximum LED Current	$I_{O\_MAX}$		35			mA
LED Short Circuit Protection Threshold	$V_{IO\_SCP}$	$T_J = 25^{\circ}C$	2.2	2.35	2.55	V
$I_o$ Off Leakage Current	$I_{O\_LEAK}$	EN = 0V, $V_{IO1} \sim V_{IO6} = 12V$		0.1	1	$\mu A$
SCP_EN Bias	$I_{SCP\_EN}$	SCP_EN = 0V		-40		$\mu A$
<b>Over-Temperature Protection</b>						
Thermal Shutdown Temperature	$T_{OTP}$			150		$^{\circ}C$
Thermal Shutdown Hysteresis	$T_{OTP\_H}$			30		$^{\circ}C$

Notes:

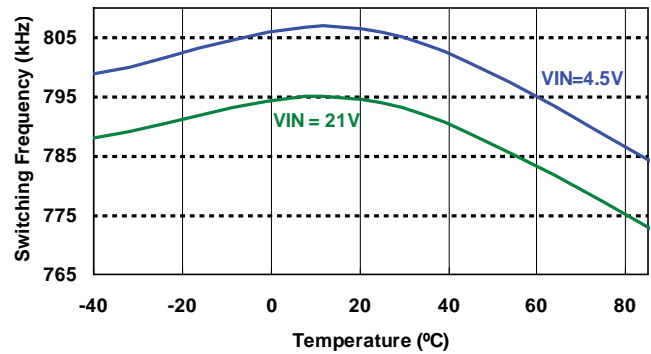
(1) Guaranteed by design.

## Typical Characteristics

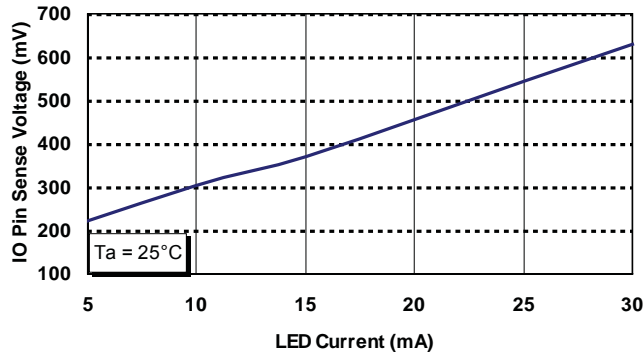
UVLO Threshold vs Temperature



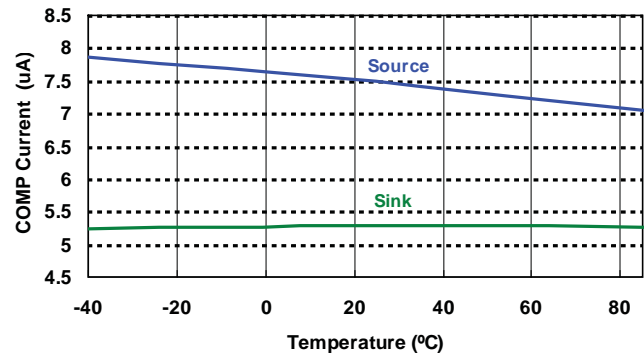
Switching Frequency vs Temperature



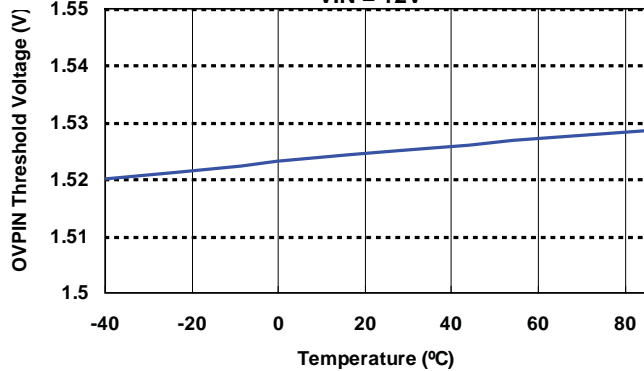
IO Pin Sense Voltage vs LED Current  
Vin=12V, 8 LEDs per string



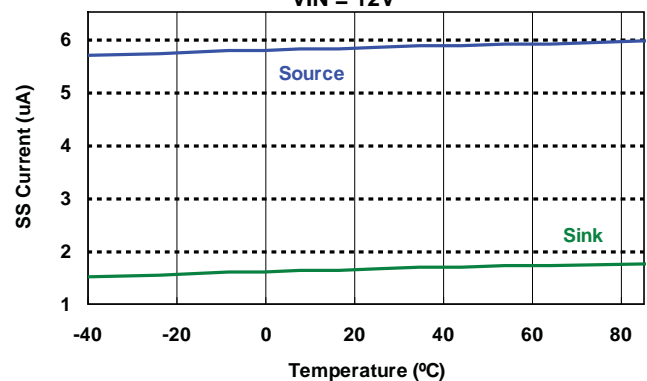
COMP Current vs Temperature  
VIN=12V



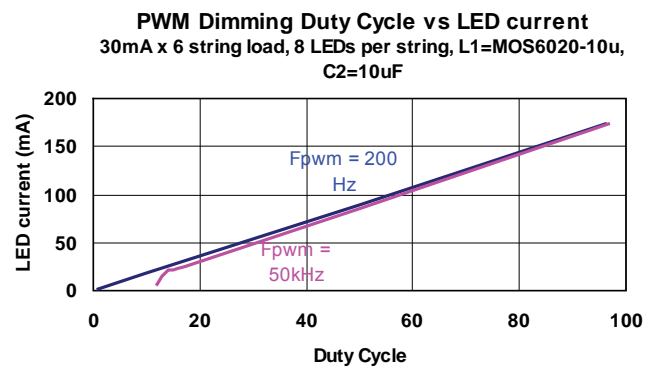
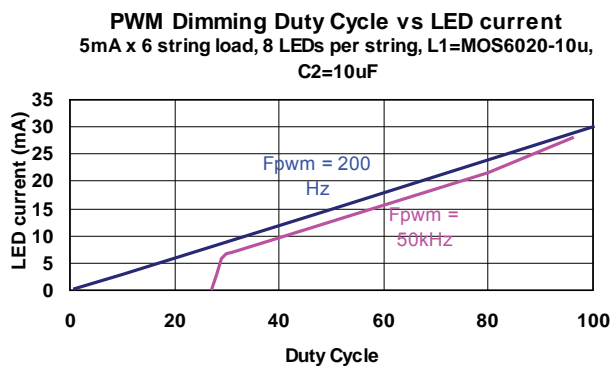
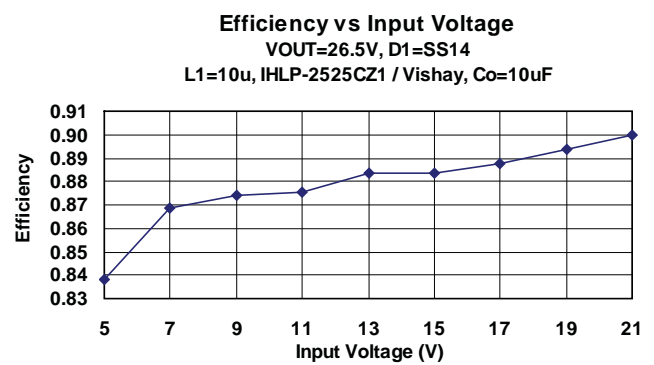
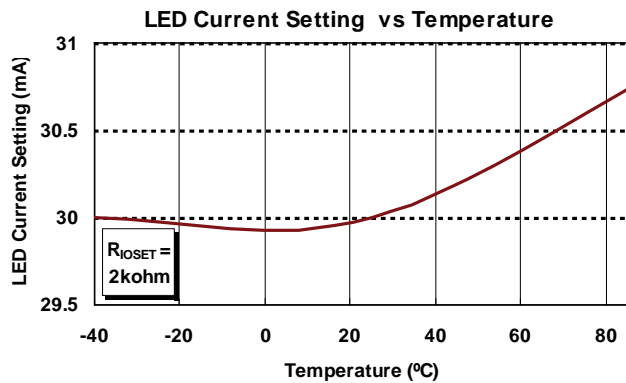
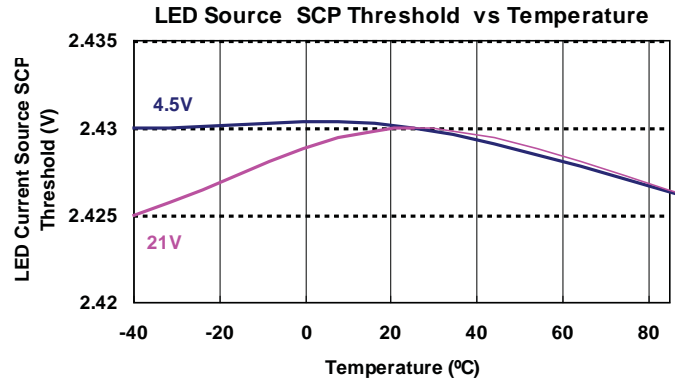
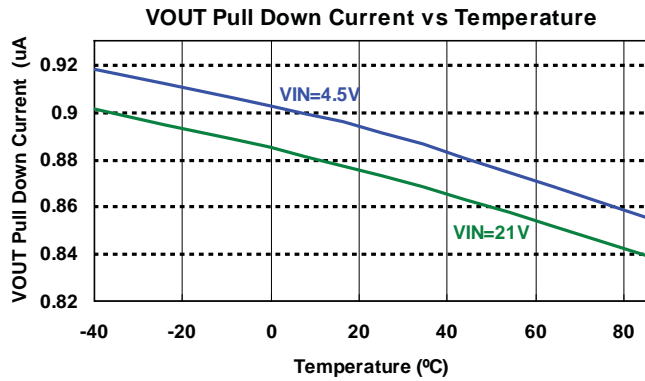
OVPIN Threshold Voltage vs Temperature  
VIN = 12V



SS Current vs Temperature  
VIN = 12V

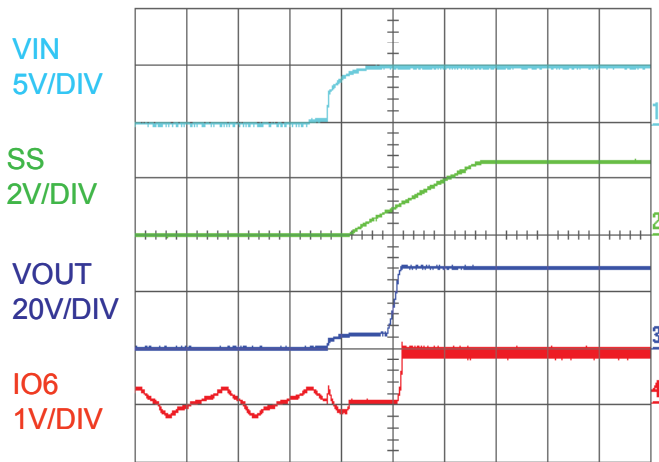


### Typical Characteristics (continued)



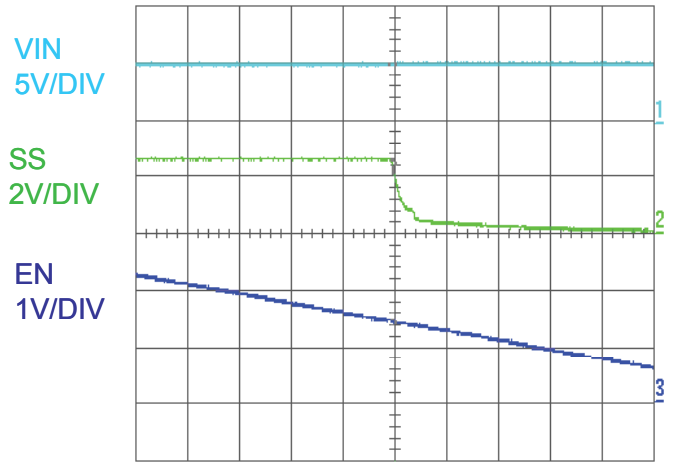
Typical Characteristics (continued)

Start up



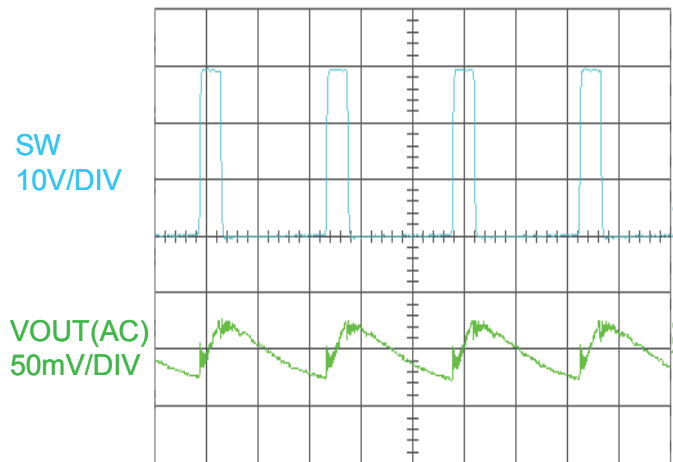
Time ( 10ms/DIV)  
Conditions: VIN = 5V, Load = 30mA  
x 6 strings, 8 LEDs per string

Shut down



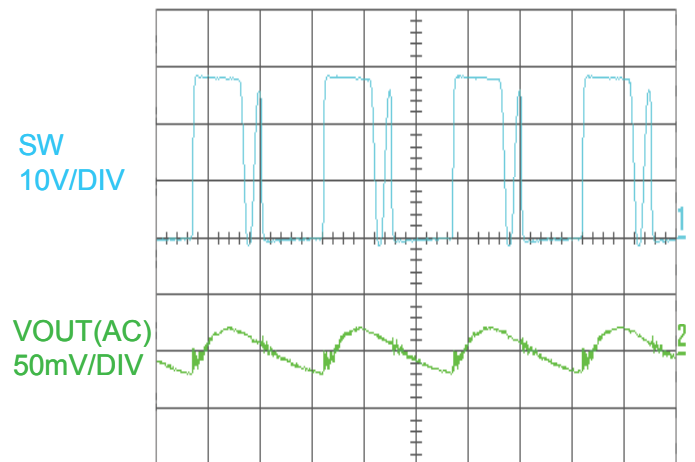
Time ( 200ms/DIV)  
Conditions: VIN = 5V, Load = 30mA  
x 6 strings, 8 LEDs per string

Main Power Switching Waveform



Time ( 0.5us/DIV)  
Conditions: VIN = 5V, Load = 30mA  
x 6 strings, 8 LEDs per string

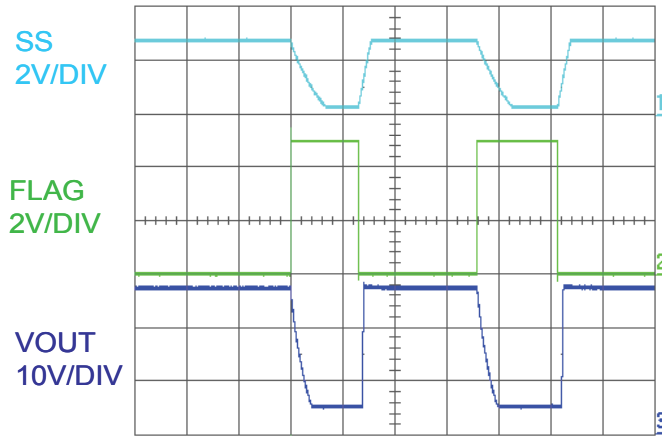
Main Power Switching Waveform



Time ( 0.5us/DIV)  
Conditions: VIN = 12V, Load =  
30mA x 6 strings, 8 LEDs per string

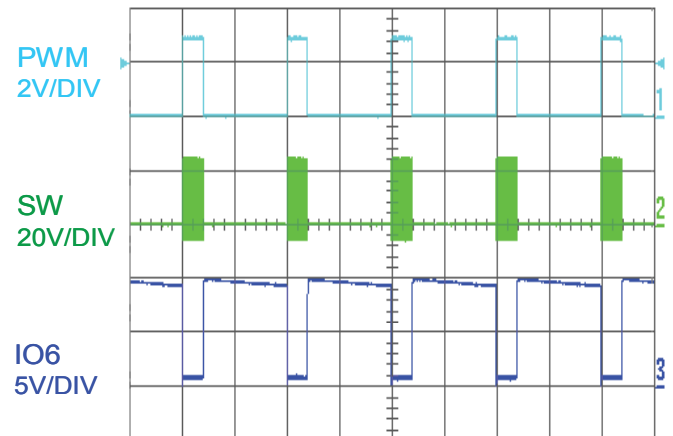
Typical Characteristics (continued)

**TOP and OTP Recovery**



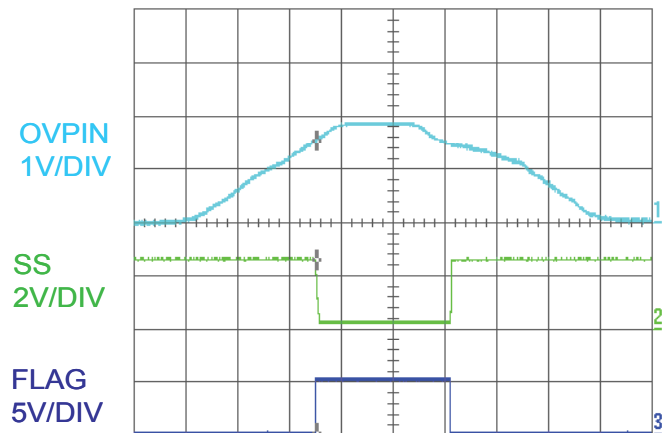
Time ( 100ms/DIV)  
Conditions: VIN = 5V, Load = 30mA  
x 6 strings, 8 LEDs per string

**PWM dimming**



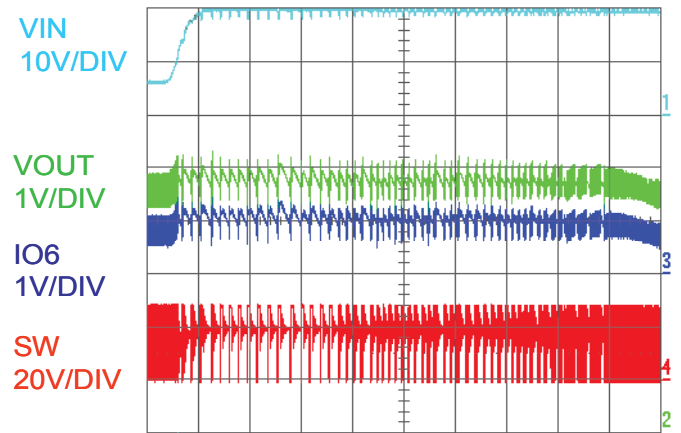
Time ( 5ms/DIV)  
Conditions: VIN = 5V, Load = 30mA  
x 6 strings, 8 LEDs per string

**OVP**



Time ( 1s/DIV)  
Conditions: VIN = 5V, Load = 30mA  
x 6 strings, 8 LEDs per string

**VIN Adaptor Plug-in Case**



Time ( 50us/DIV)  
Conditions: VIN = 6V~19V, Load =  
30mA x 6 strings, 8 LEDs per string



## Pin Descriptions

Pin #	Pin Name	Pin Function
1	IO1	Provides constant sink current to LED string 1.
2	AGND	Analog ground
3	FFLAG	Power failure signal output with open collector.
4	EN	Enable the device including regulator and LED drivers.
5	SS	Soft-start pin
6	OVPRTN	Over-voltage return
7	OVPIN	Over-voltage input
8, 12	PGND	Power ground
9, 10	SW	Collector of the internal power transistor – connect to the boost inductor and the rectifying diode.
11	N/C	Left open.
13	VIN	Input power supply.
14	IOSET	Current source IO value set pin – by selecting the resistor connected from this pin to GND, the corresponding maximum current on all 6 strings are set.
15	SCP_EN	LED short-circuit protection pin – leaving this pin open enables the function, tying it to ground disables it. If any IO pin connects to VIN, SCP_EN needs to be left open to activate the protection.
16	COMP	The output of the internal transconductance error amplifier – this pin is used for loop compensation.
17	VOUT	Output voltage pin – internal over-voltage Connect the output capacitor and the anode of control pin for LED backlight strings.
18	PWM	PWM control pin for LED backlight strings.
19	IO6	Provides constant sink current to LED string 6.
20	IO5	Provides constant sink current to LED string 5.
21	IO4	Provides constant sink current to LED string 4.
22	IOGND	Constant sink current ground, tying to AGND.
23	IO3	Provides constant sink current to LED string 3.
24	IO2	Provides constant sink current to LED string 2.
T	Thermal Pad	Thermal pad for heatsinking purposes — connect — not connected internally

Note: Any unused IO pin should be pulled up to VIN with the SCP\_EN left open.

**Table 1.**

EN	STATUS
0	backlight disable
1	backlight enable

Note: When EN = 0; the boost is turned OFF and disabled.

Block Diagram

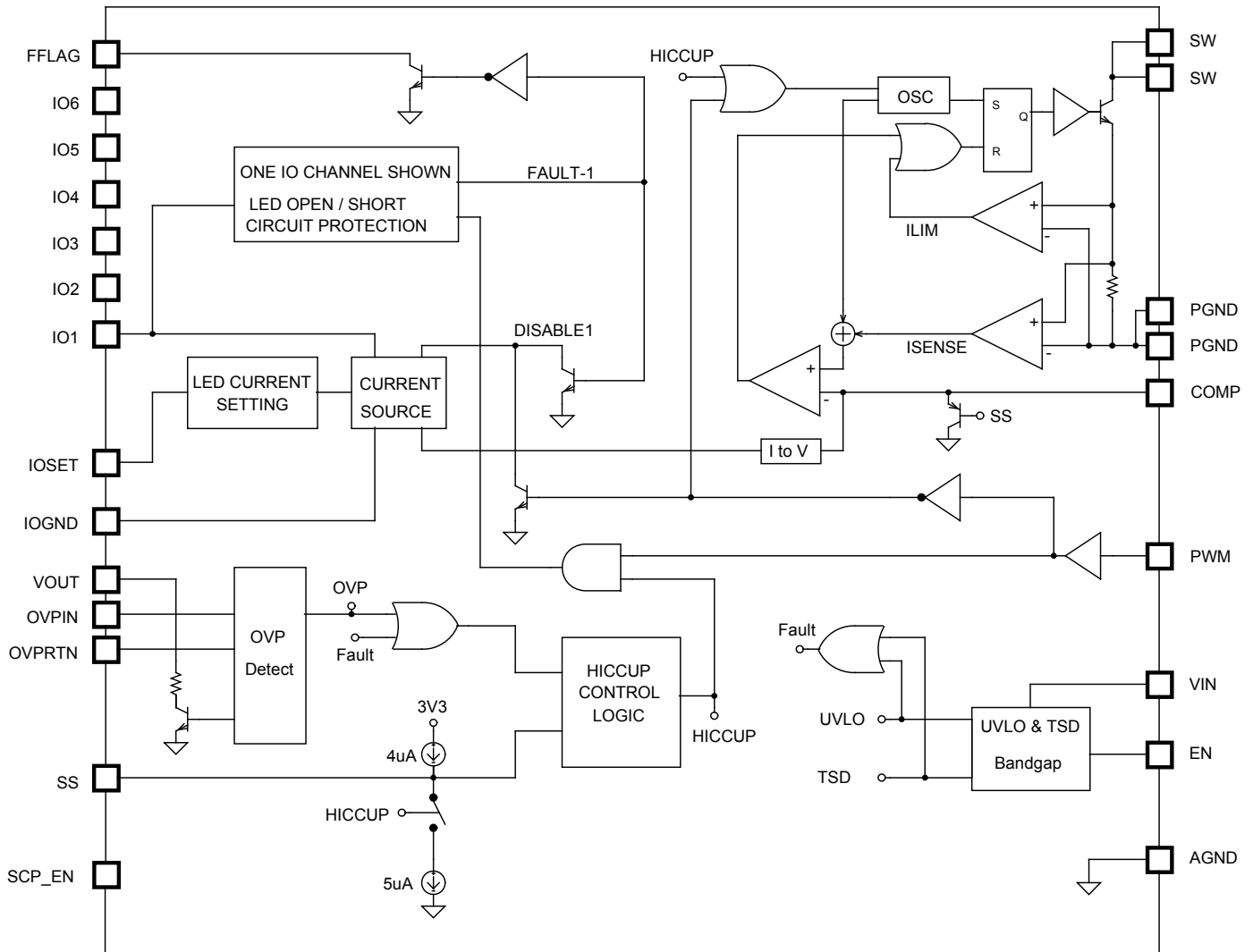


Figure 1. SC440A Block Diagram

## Applications Information

### SC440A Detailed Description

The SC440A contains a high frequency, current-mode boost regulator and six string LED current sources. The LED current for all strings is programmed by an external resistor and the PWM controller operates to maintain the output voltage at a level which will keep the current of each string regulated. A typical application would use 3-8 backlight LEDs for each string, driven with approximately 30mA.

### Operation

The SC440A regulates the boost converter output voltage based on instantaneous requirement of the six string current sources. Therefore, only a single inductor and power switch is needed to provide power to the entire lighting subsystem, increasing efficiency and reducing part count. A logic interface to output control circuit has high-bandwidth, and supports PWM dimming with 50Hz to 50kHz dimming frequency while the entire supply current is reduced to 4.5mA (typical) when all LED strings are off.

High frequency switching provides high output power using a 1.0mm height inductor, maximizing efficiency for space-constrained and cost-sensitive applications. Additionally, the converter and output capacitor are protected from open-LED conditions by programmable over voltage protection.

### LED Current Programming

The SC440A is a LED current programmable regulator. The LED current set point is chosen using external an resistor connected to the IOSET pin. The relationship between the programming resistor value and the LED current set point of each string can be described as follows:

$$I_{LED} = \frac{60}{R_{IOSET}}$$

Where,  $R_{IOSET}$  is in k $\Omega$ .

$I_{LED}$  is the output current of each string in mA.

### Start-Up

During start-up, when the VIN pin voltage reaches its UVLO threshold, and both EN and PWM signals are set to high, the SS pin begins to source 6 $\mu$ A to the SS capacitor and its voltage begins to rise from 0V to its end value (2.6V). The output voltage of the internal error amplifier (COMP) is increases and clamped by the SS pin voltage. When the SS pin voltage reaches its switching threshold, the SC440A starts to switch and the output voltage increases.

Each internal LED current source (IO1 ~ IO6) tries to regulate the LED current to its set point. While the output voltage increases, a suitable amount of error information will be generated on the internal error amplifier as the COMP pin voltage keeps rising. Once each LED current reaches its set point, the error information is not generated by the LED current source. The COMP pin voltage stays at a level which keeps the LED current at its set point.

If the EN pin voltage is pulled below 0.4V and VIN reaches to its UVLO, SC440A will stay at shutdown mode, drawing less than 1 $\mu$ A from the input power supply.

If the PWM pin voltage is pulled below 0.4V when the EN pin is pulled high and VIN reaches its UVLO, the SC440A runs in standby mode, drawing 4.5mA (typical) from the input power supply. Under this condition, soft-start is initiated and the SS pin voltage is raised to its end value since the EN pin is pulled high. After that, when PWM signal goes high to enable SC440A, the COMP pin voltage will rise as quickly as it can since it is not being limited by the SS pin. A proper capacitance (10nF ~ 100nF) is required for the COMP pin and its external RC network in order to prevent output voltage overshoot.

### Shut Down

When the VIN pin voltage falls below its UVLO or EN pin voltage goes low, the SC440A will run in shutdown mode. The internal switch and LED current sources will be immediately turned off. The SS capacitor is discharged by SS pin internal current source and the SS pin voltage decreases to 0V. The output voltage falls to the same level as the input voltage.

## Applications Information (continued)

If PWM pin voltage goes low while SC440A is at normal operation, SC440A will run in standby mode. The internal switcher and the LED current sources will be immediately turned off. The SS pin will not be affected by the PWM signal and remains at its final value.

### Main Power Stage Operation

SC440A is an 800kHz fixed-frequency, peak current-mode boost switching regulator with an integrated 2.5A (typical), power transistor. Referring to the Block Diagram, the clock from the oscillation section resets the latch and turns on the power transistor. Switch current is sensed with an integrated sense resistor. The sensed current is summed with the slope-compensating ramp and fed into the modulating ramp input of the PWM comparator. The latch is set and the power transistor conduction is terminated when the modulating ramp intersects the error amplifier output (COMP).

The current-mode switching regulator is a dual-loop feedback control system. In the inner current loop, the EA output (COMP) controls the peak inductor current. In the outer loop, the error amplifier regulates the output voltage to keep the LED current in set point. The double reactive poles of the output LC filter are reduced to a single real pole by the inner current loop, allowing the simple loop compensation network to accommodate a wide range of input and output voltages.

### Over-Current Protection

If the switch current exceeds 2.5A (the typical current-limit trip point), the current-limit comparator  $I_{LIM}$  will set the latch and immediately turn off the internal power switch. Due to separate pulse-width modulating and current limiting paths, the OCP trip point is not affected by slope compensation (i.e., trip point is not affected by switching duty cycle).

### Over-Voltage Protection (OVP)

SC440A includes an external programming over-voltage protection circuit to prevent damage to the IC and output capacitor in the event of an open-circuit condition. The output voltage of the boost converter is detected at the OVPIN pin. If the voltage at the OVPIN pin exceeds 1.5V, the boost converter will shut off and a 1mA pull down current source will be applied to the VOUT pin to quickly

discharge the over-voltage capacitor. This additional level of protection prevents a condition where the output capacitor and Schottky diode must endure high voltage for an extended period of time, which can pose a reliability risk for the system. The total resistance of the divider for the OVP protection should be more than 200k $\Omega$ .

The output over-voltage trip point can be programmed by R2 and R4 resistor divider (see the schematic on page 17). The relationship can be described as follows:

$$\text{OVP\_trip} = \text{OVPIN\_TH} \times \frac{R2 + R4}{R4}$$

Where OVPIN\_TH is 1.535V typical.

An OVP event causes a fault which disables the boost converter and enables the strong pulldown and the FFLAG pin will also go high. Meanwhile, the soft-start capacitor is discharged. When the soft-start capacitor voltage falls below 0.5V, SC440A enters a soft-start process.

The OVP detection circuitry provides a disconnect feature during the shutdown state to prevent any leakage from the output. The external OVP resistor divider should be connected between VOUT and OVPRTN while its central tap is connected to OVPIN. If this disconnect function is not desired, just connect the end of the OVP resistor divider directly to GND. The OVPIN pin is sensitive to noise, a proper decoupling cap (1nF ~ 10nF) is required.

### LED Short-Circuit Protection

If one or more LEDs are detected as shortened, that corresponding string will be latched off if SCP\_EN is floating. The voltages on all internal LED current sources (IO pins) are monitored to see if any exceeds 2.3V. (The IO voltage on abnormal LED string will rise earlier than other floating LED strings). If any IO pin voltage exceeds 2.3V, that IO current source will be latched off and the FFLAG will go high. The latch can be reset if VIN falls below UVLO or recycle EN signal. Other normal LED strings remain at their normal operation. The protection will be disabled if SCP\_EN is tied to GND. If all IO pin voltages reach 0.8V then the internal main switch will be off until any of the IO voltages is lower than 0.7V.

### Unused Strings

The SC440A may be operated with less than 6 strings. In this case, all unused strings should be tied to VIN and leave the SCP\_EN pin floating.

## Applications Information (continued)

### LED Open-Circuit Protection

If any LED is detected as open circuit, that string will be latched off. Then the COMP pin will be driven high and the boost converter duty cycle will increase causing VOUT to rise. At some point VOUT will rise high enough to cause all the IO pin voltages of the remaining strings to reach the shorted LED detection level and those strings are latched off. The FFLAG pin will also go high. Because of the open string, VOUT will continue to rise until it reaches the programmed OVP level.

When OVP is reached, the voltages on the IO pins are monitored. If any IO voltage is less than 0.2V, that string will be identified as open and will be latched off. Only VIN falling below UVLO, recycle EN signal and thermal shutdown will reset this latch. A hiccup cycle is initiated, SS is discharged slowly with a 1.6 $\mu$ A current source and a 1mA discharge path is turned on to pull down VOUT. When SS falls below 0.5V and VOUT falls below to VIN, the shorted LED detection latches are reset and a new soft-start sequence is initiated to resume normal operation.

### Thermal Shutdown (TSD)

If the thermal shutdown temperature of 150°C is reached, a hiccup sequence is initiated where the boost converter and all IO current sources are turned off, SS is discharged by a 1.6 $\mu$ A current source, and a 1mA discharge path is turned on to pull down VOUT. As temperature falls below TSD trip point, SC440A will retry when SS falls below 0.5V and VOUT falls to VIN.

### PWM Dimming

The PWM input needs to be held high for normal operation. PWM dimming can be done by cycling the PWM input at a given frequency where a “low” on the PWM input turns off all IO current sources and a “high” turns on all IO current sources. The short and open detection latches are blanked for approximately 2 $\mu$ s as the PWM input transitions from low-to-high to prevent a false fault detection during PWM dimming.

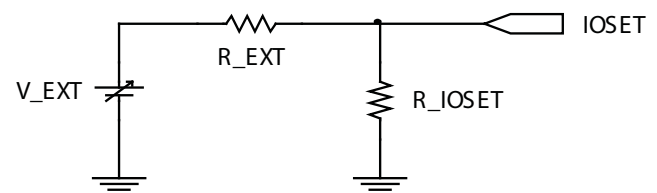
The PWM pin can be toggled by external circuitry to allow PWM dimming. In a typical application, a microcontroller sets a register or counter that varies the pulse width on a GPIO pin. The SC440A allows dimming over two decades

in frequency (50Hz-50kHz) in order to allow compatibility with a wide range of devices, including the newest dimming strategies that avoid the audio band by using high frequency PWM dimming. In this manner, a wide range of illumination can be generated while keeping the instantaneous LED current at its peak value for high efficiency and color temperature.

Furthermore, advanced lighting effects such as backlight dim-on can be implemented as the SC440A can resolve PWM from 10% to 90% duty at its highest frequency. An additional advantage of PWM dimming comes to customers who prefer to avoid in-rush currents when filling the boost output capacitor. Simply apply the PWM signal to the device at 10% duty for a millisecond or two, and in-rush current is reduced to less than 50mA. This dim time will vary based on the number of LEDs and the size of the output capacitor, but can be easily determined on the bench and programmed into the  $\mu$ C firmware.

### Linear Dimming

The linear dimming control is available for SC440A by applying an external control voltage on IOSET pin through an external resistor as shown below. External environment brightness compensation can also be achieved when the control voltage is generated by a light sensing circuit.



### LED String Connection

Generally, LED strings are connected to the IO1 ~ IO6 pins through a mechanical connector which cannot support an electrical connection at times. This connection might cause noise on the IO1 ~ IO6. If this function is enabled, the SC440A LED short-circuit protection may false trip when the noise level is large enough. Certain ceramic decoupling capacitors (100pF ~ 8.2nF) on pins IO1 ~ IO6 to GND can help prevent the SC440A from entering the

## Applications Information (continued)

false protection, or, simply disable this feature by tying Pin 15 to GND.

### Parallel Operation

When two or more SC440As are operating in parallel for a large-sized panel application, audible noise may be observed due to a non-synchronous switching frequency. The ripple voltage on the input voltage rail will be modulated by the beat frequency resulting in audible noise. This situation can be resolved by adding an input inductor between the input voltage rail and the VIN pin. This situation can also be improved by adding more input decoupling capacitors.

### Inductor Selection

The inductance value of the inductor affects the converter's steady state operation, transient response, and its loop stability. Special attention needs to be paid to three specifications of the inductor, its value, its DC resistance and saturation current. The inductor's inductance value also determines the inductor ripple current. The converter can operate in either CCM or DCM depending on its working conditions. The inductor DC current or input current can be calculated as,

$$I_{IN} = \frac{V_{OUT} \cdot I_{OUT}}{V_{IN} \cdot \eta}$$

$I_{IN}$  - Input current;

$I_{OUT}$  - Output current;

$V_{OUT}$  - Boost output voltage;

$V_{IN}$  - Input voltage;

$\eta$  - Efficiency of the boost converter.

Then the duty ratio is,

$$D = \frac{V_{OUT} - V_{IN} + V_D}{V_{OUT} + V_D}$$

$V_D$  - Forward conduction drop of the output rectifying diode

When the boost converter runs in DCM ( $L < L_{boundary}$ ), it

takes the advantages of small inductance and quick transient response while avoiding the bandwidth-limiting instability of the RHP zero found in CCM boost converters.

The inductor peak current is,

$$I_{L-peak} = \frac{V_{IN} \cdot D}{F_s \cdot L}$$

The converter will work in CCM if  $L > L_{boundary}$ . Generally the converter has higher efficiency under CCM and the inductor peak current is,

$$I_{L-peak} = I_{IN} + \frac{V_{IN} \cdot D}{2 \cdot F_s \cdot L}$$

For many applications, an inductor with value of 4.7 $\mu$ H to 22 $\mu$ H should be fine, such as for the typical case shown on page 1. The inductor peak current must be less than its saturation rating. When the inductor current is close to the saturation level, its inductance can decrease 20% to 35% from the 0A value depending on the vendor specifications. Using a small value inductor forces the converter under DCM in which case the inductor current ramps down to zero before the end of each switching cycle. It reduces the boost converter's maximum output current, and produces large input voltage ripple. An inductor with larger inductance will reduce the bandwidth of the feedback loop, possibly higher DC resistance (DCR). Inductor's DCR plays a significant role for the total efficiency since the power transistor is integrated inside the SC440A. Of course, there is a trade-off between the DCR and inductor size. Table 2 lists recommended inductors and their vendors.

**Table 2. Recommended Inductors**

Inductor	Website
DR74, 4.7 $\mu$ H ~ 15 $\mu$ H	<a href="http://www.cooperet.com">www.cooperet.com</a>
IHLP-2525CZ-01, 4.7 $\mu$ ~ 10 $\mu$ H	<a href="http://www.vishay.com">www.vishay.com</a>
DS85LC, 6.8 $\mu$ H ~ 10 $\mu$ H	<a href="http://www.tokoam.com">www.tokoam.com</a>

## Applications Information (continued)

### Output Capacitor Selection

The next task in SC440A design is targeting the proper amount of ripple voltage due to the constant-current LED loads. The two error amplifiers that control the PWM converter sense the delta between requested current and actual current in each output current regulator. On a cycle-by-cycle basis, a small amount of output ripple ensures good sensing and tight regulation, while the output current regulators keep each LED current at a fixed value. Overall, this allows usage of small output caps while ensuring precision LED current regulation. Although the mechanics of regulation and frequency dependence may be complex, actual selection of output capacitor can be simplified because this capacitor is mainly selected for the output ripple of the converter. Assume a ceramic capacitor is used. The minimum capacitance needed for a given ripple can be estimated by,

$$C_{OUT} = \frac{(V_{OUT} - V_{IN}) \cdot I_{OUT}}{V_{OUT} \cdot F_S \cdot V_{RIPPLE}}$$

- $V_{RIPPLE}$  – Peak to peak output ripple;
- $I_{OUT}$  – Output current;
- $V_{OUT}$  – Boost output voltage;
- $V_{IN}$  – Input voltage;
- $F_S$  – Switching frequency.

During load transient, the output capacitor supplies or absorbs additional current before the inductor current reaches its steady state value. Larger capacitance helps with the overshoot and undershoots during load transient, and loop stability. Recommended ceramic capacitor manufacturers are listed in Table 3.

**Table 3. Recommended Ceramic Capacitor Manufacturers**

Vendor	Phone	Website
Kemet	408-986-0424	www.kemet.com
Murata	814-237-1431	www.murata.com
Taiyo Yuden	408-573-4150	www.t-yuden.com

### Output Rectifying Diode Selection

Schottky diodes are the ideal choice for SC440A due to their low forward voltage drop and fast switching speed. Table 4 shows several different Schottky diodes that work well with the SC440A. Make sure that the diode has a voltage rating greater than the possible maximum output voltage. The diode conducts current only when the power switch is turned off. A diode of 1A will be sufficient for most designs.

### Layout Guidelines

The SC440A contains a boost converter and the placements of the power components outside the SC440A should follow the layout guidelines of a general boost converter. The application circuit on page 17 will be used as an example. The layout illustration diagram is shown on page 19. R5 and C7 form a decoupling filter for the SC440A. C7 should be placed as close as possible to the VIN and PGND to achieve the best performance. C6 is the input power filtering capacitor for the boost converter power train. L1 is the boost converter input inductor. D1 is the output rectifying diode and it is recommended that a Schottky diode be used for fast reverse recovery.

To minimize switching noise for the boost converter, the output capacitor, C2, should be placed at the bottom, as displayed on page 19, so that the loop formed by C2, D1, and the internal switch, is the smallest. The output of the boost converter is used to power up the LEDs. R6, C9 and C10 (open, not used), form the compensation network for the boost converter. C9 should return to analog ground.

**Table 4. Recommended Rectifying Diodes**

Part	Vendor
SS13	Vishay
SS14	www.vishay.com

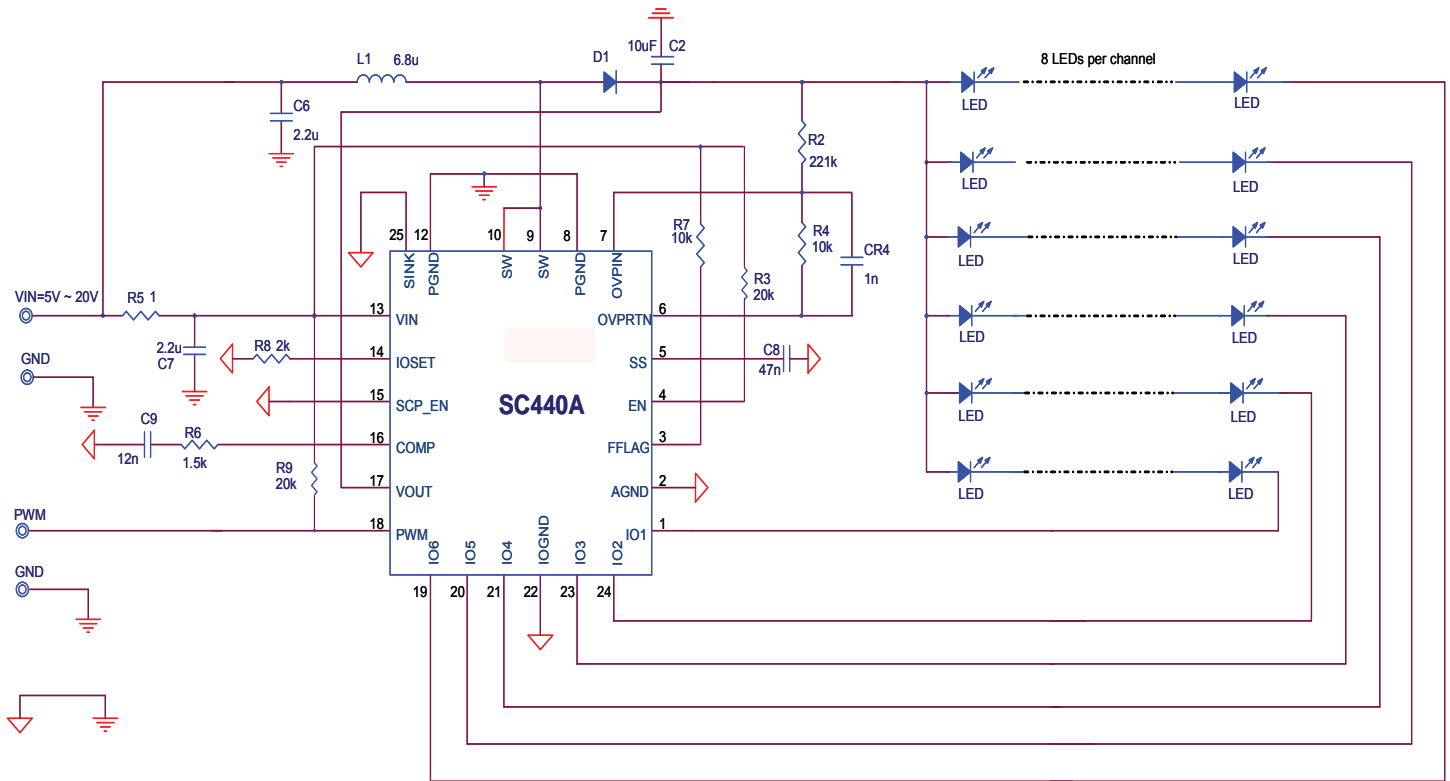
C8 determines the soft-start time and should be connected to analog ground. R8 is the output current programming resistor for IO1 through IO6 and should return to analog ground. IOGND should also be connected to AGND. Since there is pad at the bottom of the SC440A for heat dissipation, a copper area right underneath the pad is used for better heat spreading. On the bottom layer of the

### Applications Information (continued)

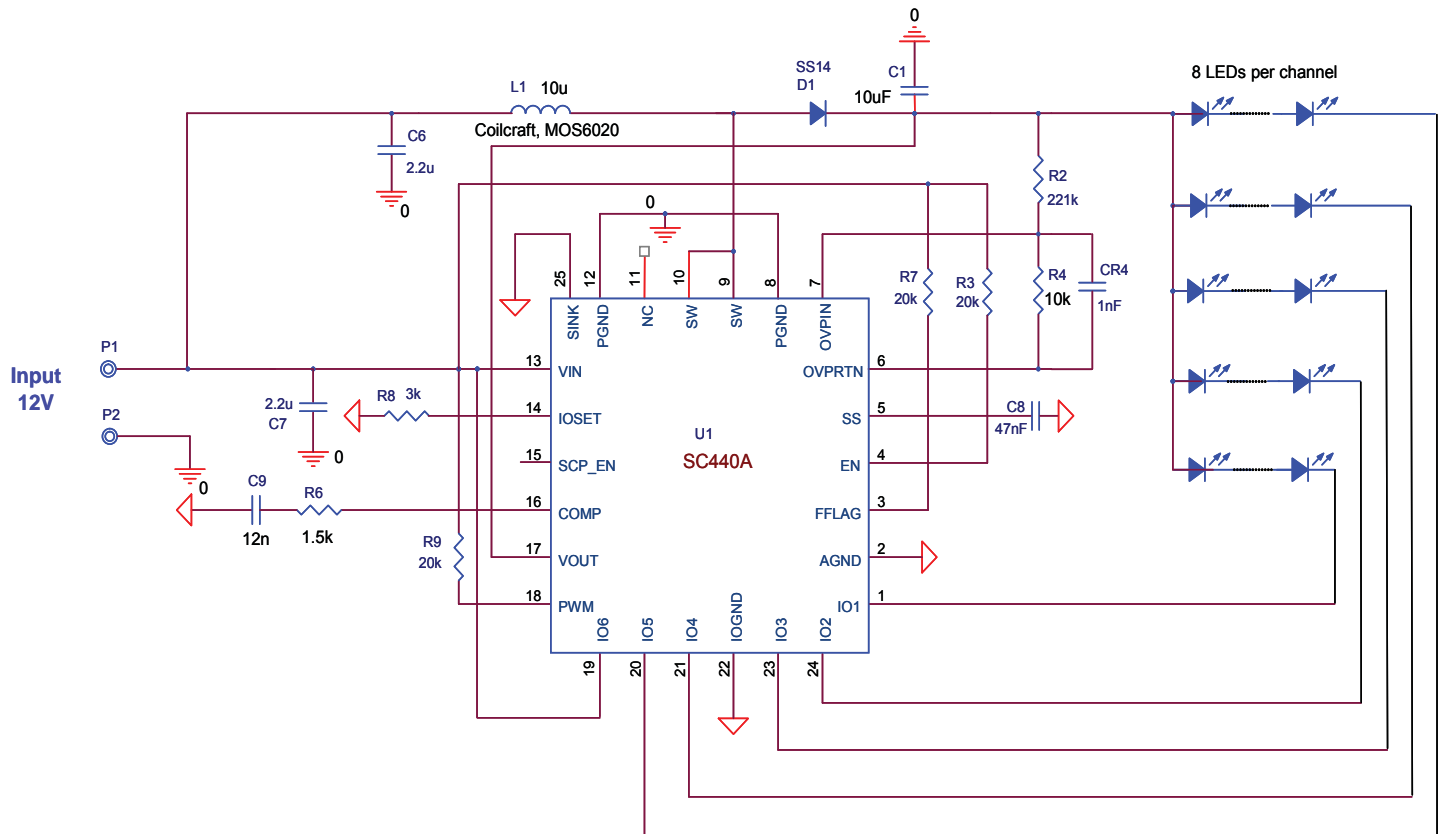
board another copper area, connected through vias to the top layer, is used for better thermal performance. The pad at the bottom of the SC440A should be tied to the analog ground. The analog ground should be connected to the power ground at one point for better noise immunity.



## Case 1: Schematic for 6 strings 8 LEDs per string application



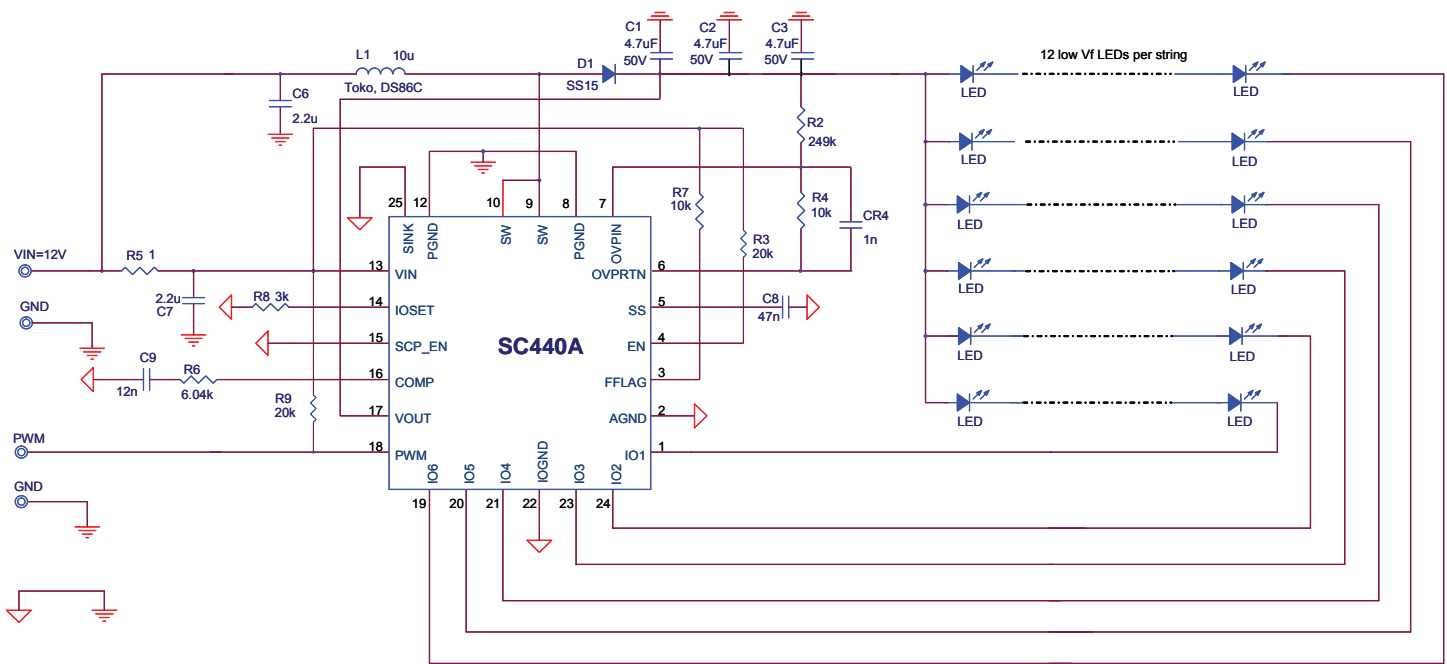
## Case 2: Schematic for 5 strings 8 LEDs per string application



## BOM for 6 string 8-LED Application Case

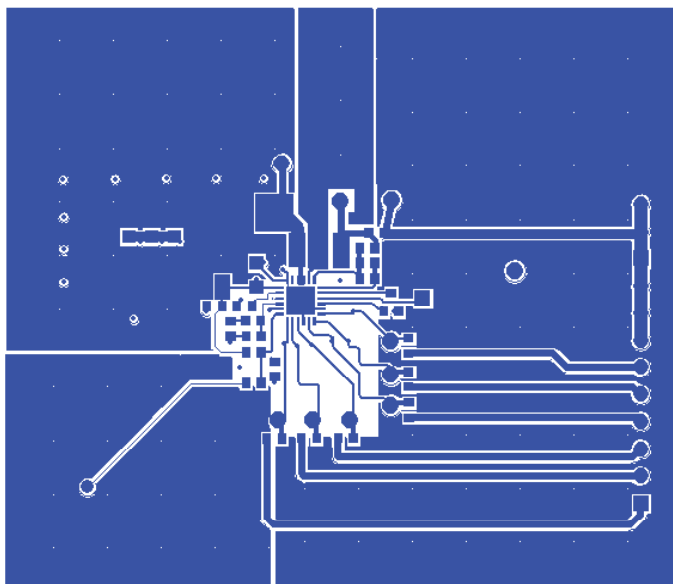
ITEM	QUANTITY	REFERENCE	PART
1	1	CR4	1nF
2	1	C2	10μF, 50V, 1210
3	2	C6, C7	2.2μ, 25V, 0805
4	1	C8	47nF
5	1	C9	12nF
6	1	D1	SS14
7	1	L1	6.8μ, IHLP-2525CZ1
8	1	R4	10k
9	1	R2	221k
10	2	R3, R9	20k
11	2	R7	10k
12	1	R8	2k
13	1	U1	SC440A, Semtech
14	1	R5	1, 0805
15	48	LEDs	SML-LX0603UWD
16	1	R6	1.5k

## Case 3: Schematic for 6 strings 12 low Vf LEDs per string application

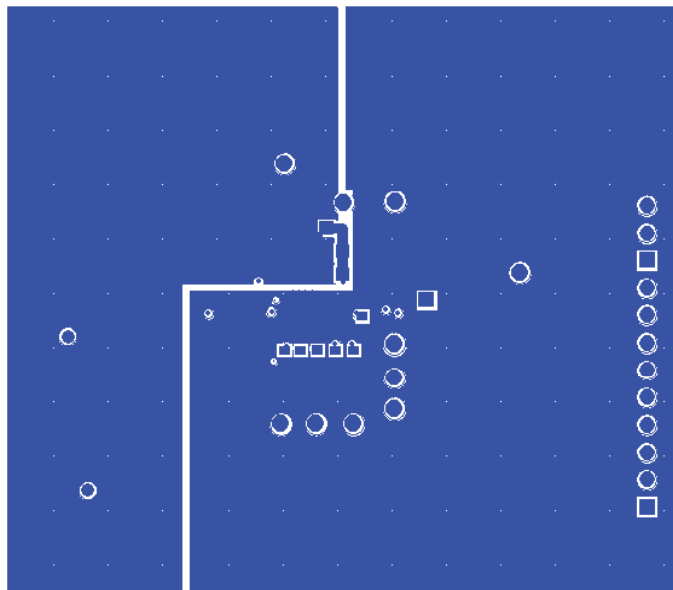


Layout Illustration Diagrams

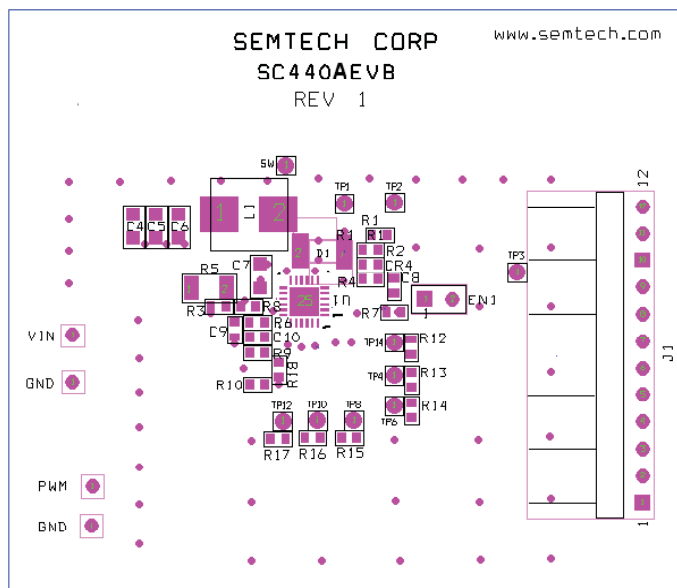
PCB TOP



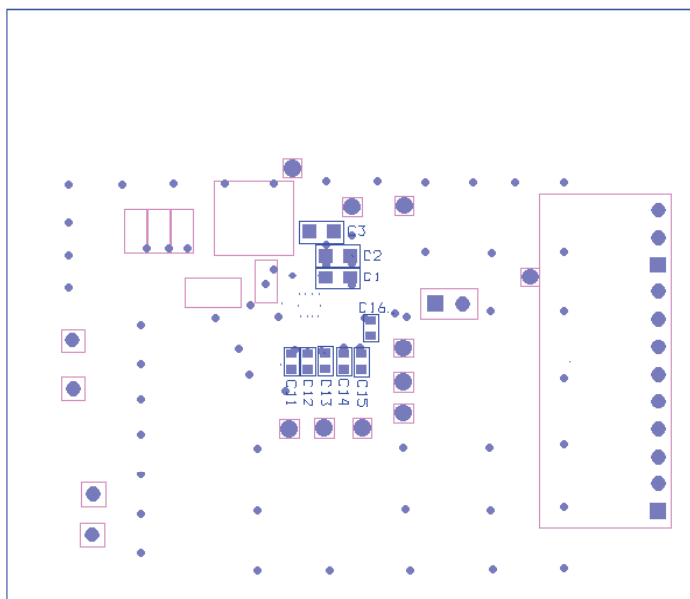
PCB BOTTOM

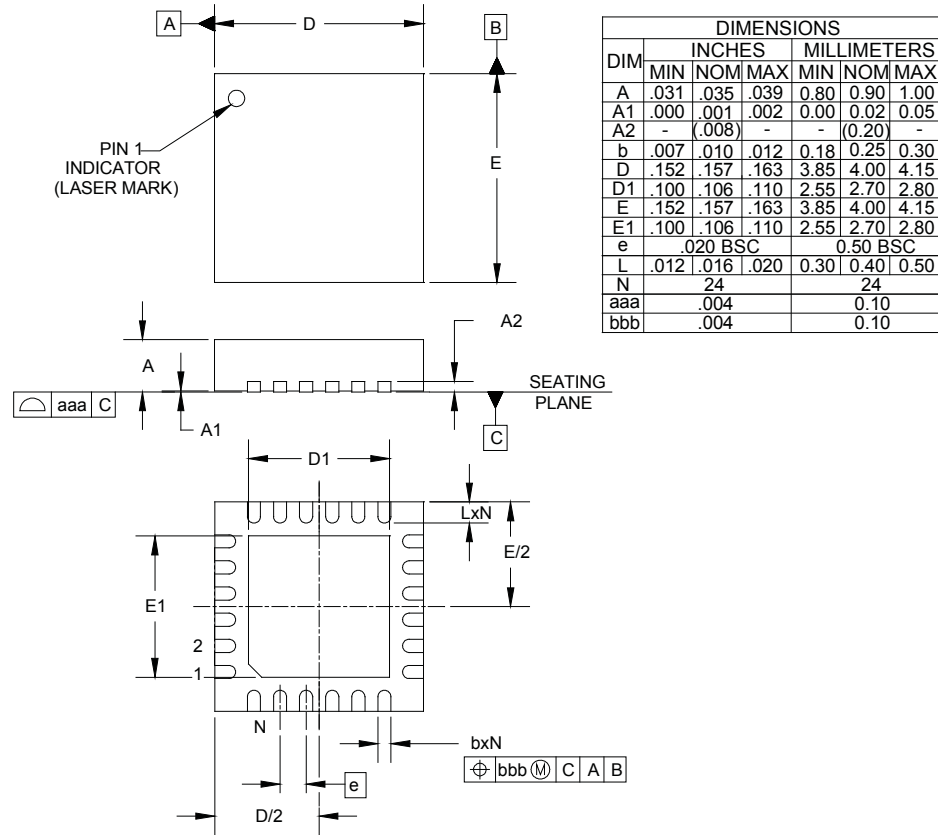


COMPONENTS TOP

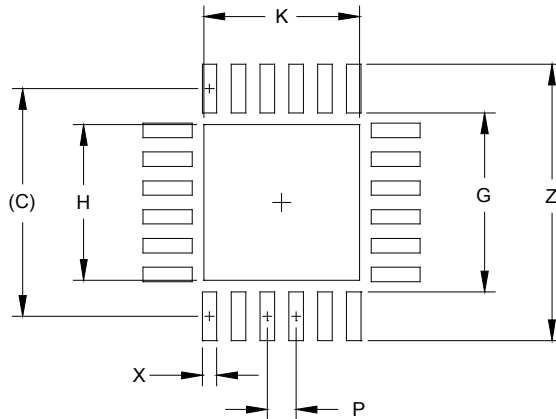


COMPONENTS BOTTOM



**Outline Drawing - MLPQ-24**

**NOTES:**

1. CONTROLLING DIMENSIONS ARE IN MILLIMETERS (ANGLES IN DEGREES).
2. COPLANARITY APPLIES TO THE EXPOSED PAD AS WELL AS THE TERMINALS.

**Land Pattern - MLPQ-24**


DIMENSIONS		
DIM	INCHES	MILLIMETERS
C	(.156)	(3.95)
G	.122	3.10
H	.106	2.70
K	.106	2.70
P	.020	0.50
X	.010	0.25
Y	.033	0.85
Z	.189	4.80

**NOTES:**

1. THIS LAND PATTERN IS FOR REFERENCE PURPOSES ONLY. CONSULT YOUR MANUFACTURING GROUP TO ENSURE YOUR COMPANY'S MANUFACTURING GUIDELINES ARE MET.
2. THERMAL VIAS IN THE LAND PATTERN OF THE EXPOSED PAD SHALL BE CONNECTED TO A SYSTEM GROUND PLANE. FAILURE TO DO SO MAY COMPROMISE THE THERMAL AND/OR FUNCTIONAL PERFORMANCE OF THE DEVICE.

**Contact Information**

Semtech Corporation  
 Power Management Products Division  
 200 Flynn Road, Camarillo, CA 93012  
 Phone: (805) 498-2111 Fax: (805) 498-3804

[www.semtech.com](http://www.semtech.com)